

# CRT Power Supply

**CRS110G50 • CRS180G60**

## ELECTRICAL RATINGS

Part Number	$V_0$	$G2_{(MAX)}$
	kV	V
CRS110G50	11.0	500
CRS180G60	18.0	600

## SPECIFICATIONS

### CRS110G50:

**Anode Output Voltage:** 6-11kVDC adjustable  
**G2 Output Voltage:** 200 to 500VDC adjustable

### CRS180G60:

**Anode Output Voltage:** 11-18kVDC adjustable  
**G2 Output Voltage:** 200 to 600VDC adjustable

### Electrical:

#### CRS Series

**Input Voltage:** +24VDC  $\pm$  10%  
**Anode Output Current:** 0 to 550 $\mu$ A  
**Anode Ripple Voltage:** < 1% peak to peak  
**Anode Load Regulation:** < 0.1% for NL to FL change  
**G2 Output Current:** 0 to 50 $\mu$ A  
**G2 Ripple Voltage:** < 1% peak to peak  
**G2 Load Regulation:** < 0.1% for NL to FL change

### Environmental:

• **Storage Temperature** -40°C to +85°C  
 • **Operating Temperature** 0°C to +50°C



## Features:

- Low ripple
- Excellent regulation
- Arc and short circuit protection
- Adjustable anode voltage

## CRS Series

The CRS110G50 & CRS180G60 power supplies provide 11kV and 18kV anode voltages as well as G2 voltage adjustable to 500V & 600V respectively. These supplies feature excellent regulation, low ripple and adjustable anode voltage.

Dimensions: In. (mm) • All temperatures are ambient unless otherwise noted. • Data subject to change without notice.



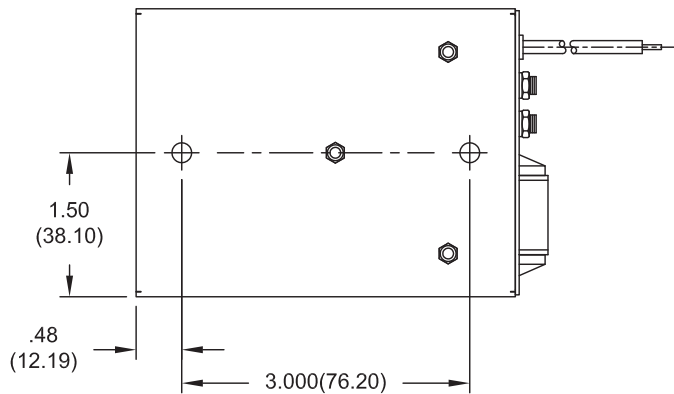
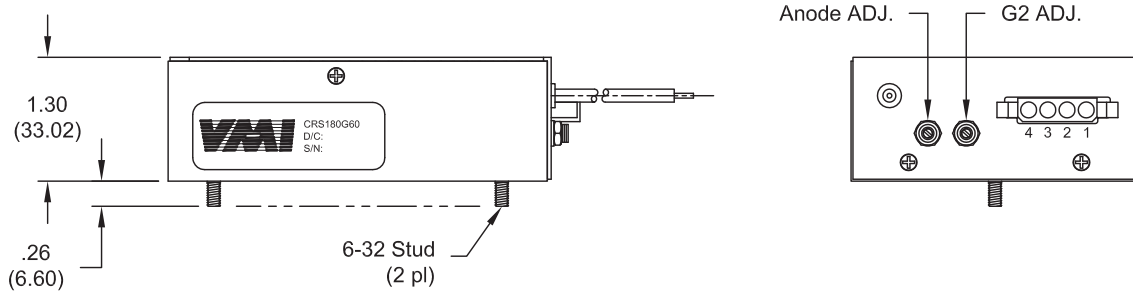
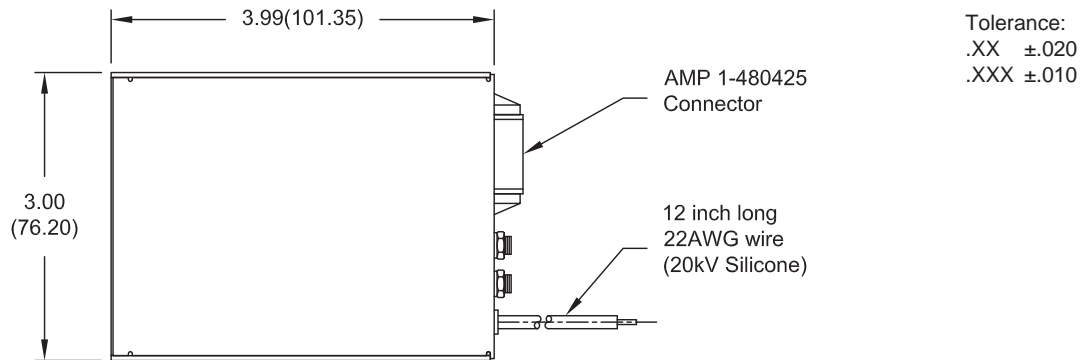
**Voltage Multipliers Inc.**

8711 W. Roosevelt Ave.  
 Visalia, CA 93291 USA

Tel: 559.651.1402  
 Fax: 559.651.0740

[www.voltagemultipliers.com](http://www.voltagemultipliers.com)  
[www.highvoltagepowersupplies.com](http://www.highvoltagepowersupplies.com)

# CRS110G50 CRS180G60



INTERFACE PIN ASSIGNMENT	
1	G2 Out
2	+24VDC
3	Factory use only
4	Ground

11

Dimensions: In. (mm) • All temperatures are ambient unless otherwise noted. • Data subject to change without notice.



**Voltage Multipliers Inc.**

8711 W. Roosevelt Ave.  
 Visalia, CA 93291 USA

Tel: 559.651.1402  
 Fax: 559.651.0740

[www.voltagemultipliers.com](http://www.voltagemultipliers.com)  
[www.highvoltagepowersupplies.com](http://www.highvoltagepowersupplies.com)