

4,000V Surface Mount Multiplier

Original Released: 01-01-08
 Revised Date: 05-08-09

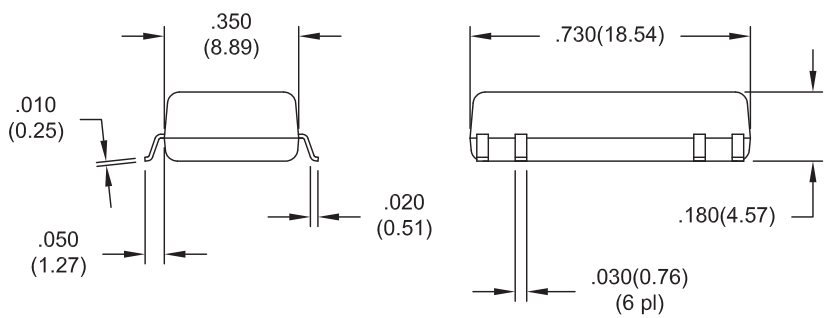
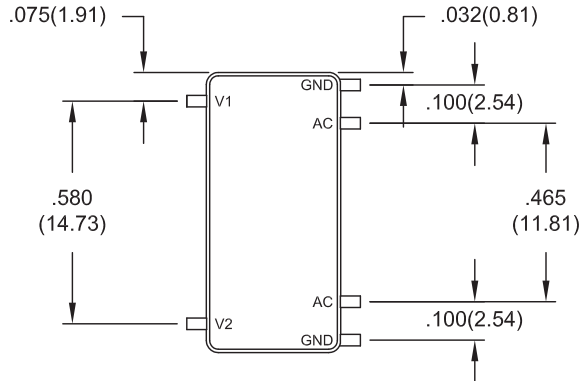
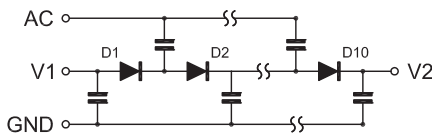
1.0 μ A - 200.0 μ A • 10 Stages

ELECTRICAL CHARACTERISTICS AND MAXIMUM RATINGS						
Part Number	Maximum A.C. Input Voltage	Maximum D.C. Output Voltage (One Multiplier)	Maximum D.C. Output Voltage (Two Multipliers in Series or Floating)	Typical Output Current Range (1)	Typical Frequency	Number of Stages
	V _{PP}	V _{DC}	V _{DC}	μ A	kHz	
MVM402P10	900	0 - 4000	6000	1.0 - 200.0	10 - 100	10
Operating Temp: -55°C to +150°C			Storage Temp: -65°C to +150°C			

(1) Refer to load lines on next page.

Plating:
 Copper strike per MIL-C-14550B
 (ref 50-100 μ inches) Tin per ASTM-B-545, 100sn, Reflow Finish, (100-300 μ inches tin over copper strike).

Tolerance:
 .XXX \pm .010



Dimensions: In. (mm) • All temperatures are ambient unless otherwise noted. • Data subject to change without notice.



Voltage Multipliers Inc.

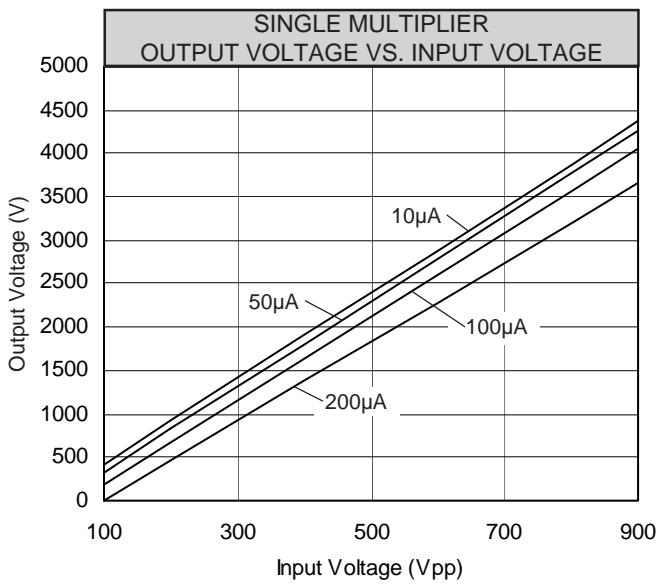
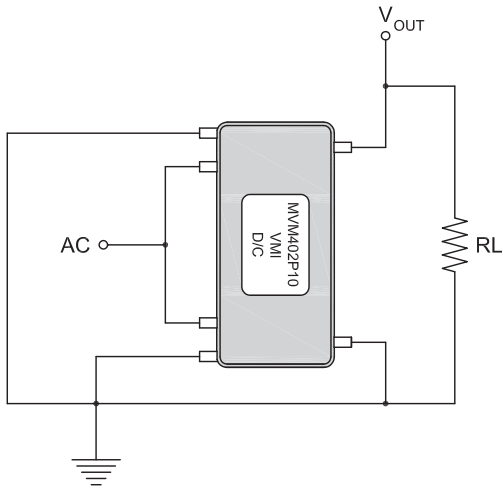
8711 W. Roosevelt Ave.
 Visalia, CA 93291 USA

Tel: 559.651.1402
 Fax: 559.651.0740

www.voltagemultipliers.com
 www.highvoltagepowersupplies.com

MVM402P10

Typical Single Multiplier Circuit



Dimensions: In. (mm) • All temperatures are ambient unless otherwise noted. • Data subject to change without notice.



Voltage Multipliers Inc.

8711 W. Roosevelt Ave.
Visalia, CA 93291 USA

Tel: 559.651.1402
Fax: 559.651.0740

www.voltagemultipliers.com
www.highvoltagepowersupplies.com