

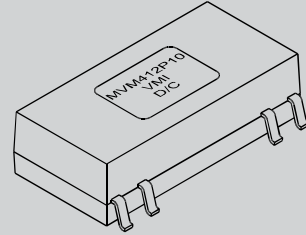
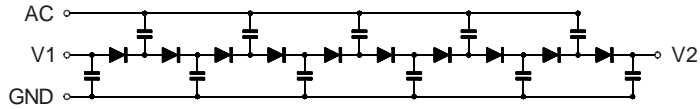
# 4000 V Miniature Hybrid Multiplier

50  $\mu$ A Output Current  
10 Stages

## MVM412P10

Original Released: 02-04-04

Revised Date: 05-08-09

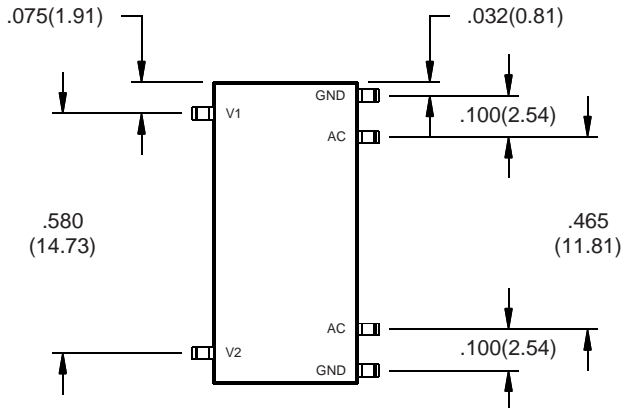


### ELECTRICAL CHARACTERISTICS AND MAXIMUM RATINGS

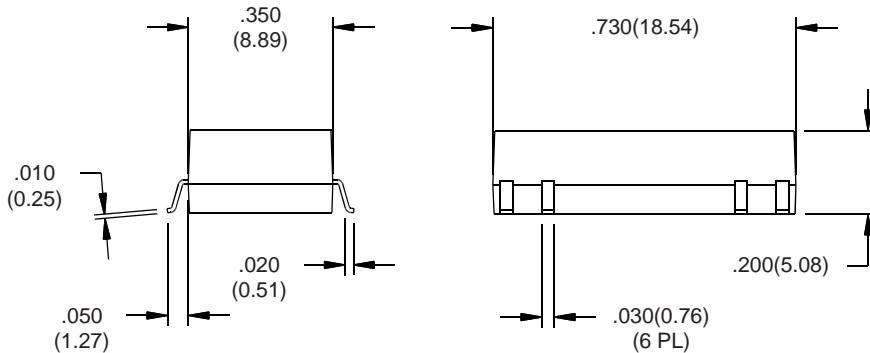
Part Number	Maximum A.C. Input Voltage	Maximum D.C. Output Voltage	Maximum D.C. Output Voltage (Two Multipliers in Series)	Typical Output Current	Typical Frequency	Number of Stages
	$V_{PP}$	$V_{DC}$	$V_{DC}$	$\mu$ A	kHz	
MVM412P10	900	4000	6000	50	10-100	10

Operating Temp: -55°C to +150°C

Storage Temp: -65°C to +150°C



Plating:  
200-300 $\mu$ in 90/10 tinlead over 50 $\mu$ in nickel.



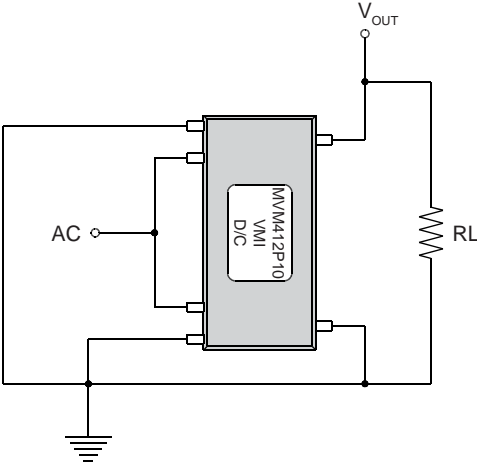
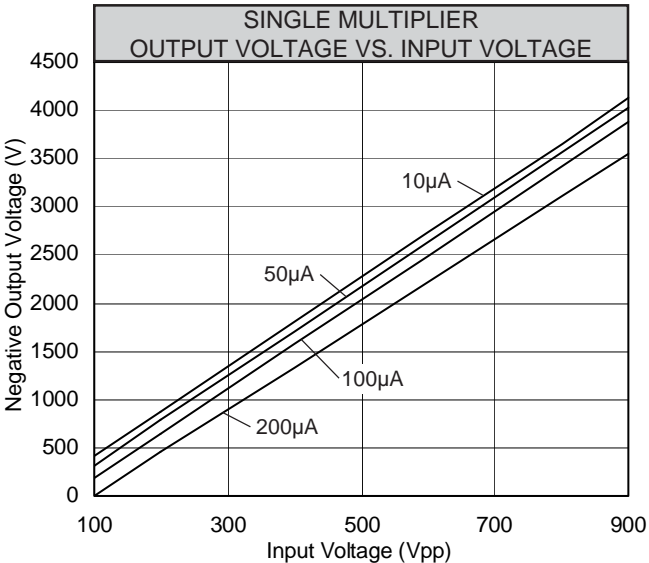
Dimensions: In. (mm) • All temperatures are ambient unless otherwise noted. • Data subject to change without notice.



**VOLTAGE MULTIPLIERS INC.**  
8711 W. Roosevelt Ave.  
Visalia, CA 93291

TEL 559-651-1402  
FAX 559-651-0740  
www.voltagemultipliers.com

# MVM412P10



Typical Single Multiplier Circuit