

OC 025

Optocoupler • Axial Leaded • Epoxy Molded

ABSOLUTE MAXIMUM RATINGS

LED

- Forward DC Current 50 mA
- Surge Current (tp = 10 μs) 500 mA
- Reverse Voltage 5 V
- Power Dissipation (25°C) 100 mW

Photodiode

- Reverse Voltage 2,500 V
- Power Dissipation 125 mW

- Storage Temperature -40°C to +125°C
- Operating Temperature -40°C to +100°C
- Isolation Test Voltage 6 kV (From Pins 5 & 6 to Pins 1 - 4)

ELECTRICAL CHARACTERISTICS

LED

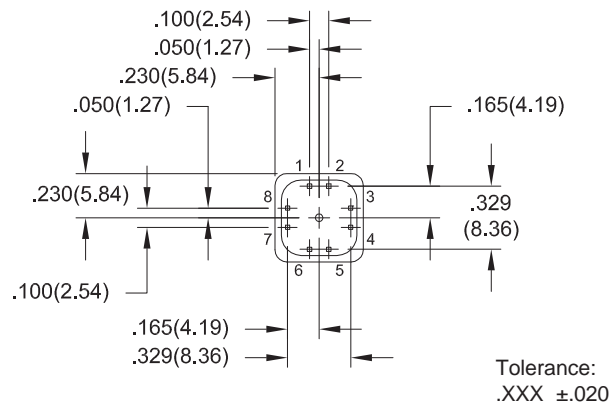
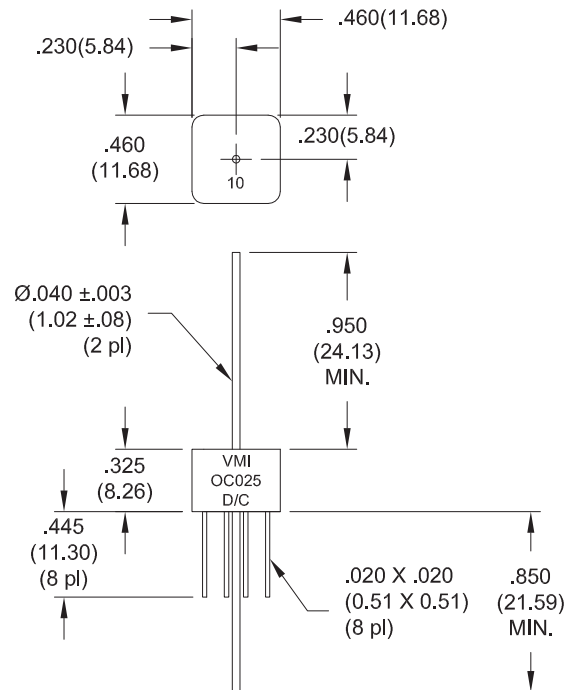
- Forward Voltage 1.7 V MAX
(If = 100 mA, tp = 20 μs)
- Reverse Leakage Current 10 μA MAX
VR = 5 V

Photodiode

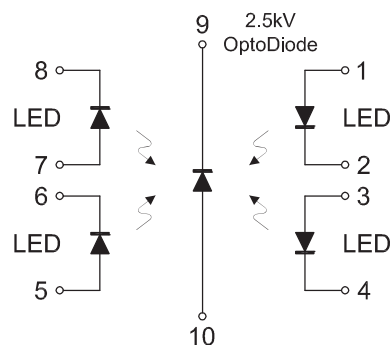
- Forward Voltage (If = 25 mA) 6.0 V MAX
- Reverse Leakage Current
VR = 2,500 kV, I_{LED} = 0 mA 100 nA Typical
VR = 2,500 kV, I_{LED} = 50 mA 450 μA Typical

Coupled

- DC Current Transfer Ratio 0.76% MIN
(I_{LED} = 50 mA, VR = 10 kV)
- t_{ON} (Typical) 2 μs
- t_{OFF} (Typical) 2 μs
(25°C UNLESS OTHERWISE NOTED)



Simplified Circuit Schematic



Dimensions: In. (mm) • All temperatures are ambient unless otherwise noted. • Data subject to change without notice.



Voltage Multipliers Inc.

8711 W. Roosevelt Ave.
Visalia, CA 93291 USA

Tel: 559.651.1402
Fax: 559.651.0740

www.voltagemultipliers.com
www.highvoltagepowersupplies.com

