

# 3,000V Surface Mount Multiplier

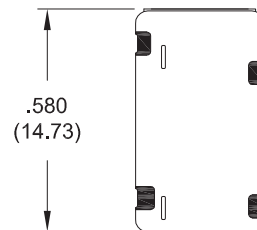
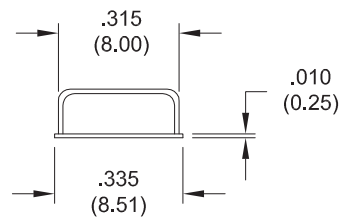
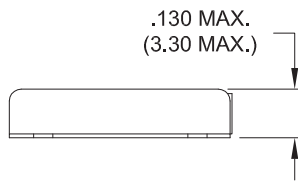
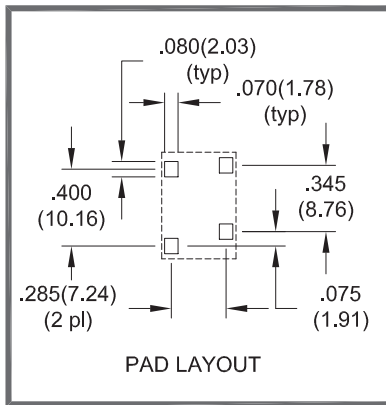
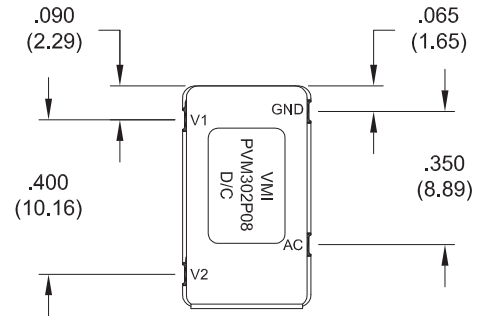
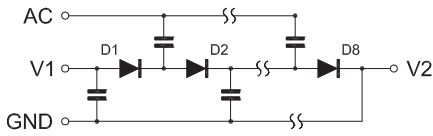
1.0 $\mu$ A - 50.0 $\mu$ A • 8 Stages

ELECTRICAL CHARACTERISTICS AND MAXIMUM RATINGS						
Part Number	Maximum A.C. Input Voltage	Maximum D.C. Output Voltage (One Multiplier)	Maximum D.C. Output Voltage (Two Multipliers in Series or Floating)	Typical Output Current Range (1)	Typical Frequency	Number of Stages
	V <sub>PP</sub>	V <sub>DC</sub>	V <sub>DC</sub>	$\mu$ A	kHz	
PVM302P08	800	3000	6000	1.0 - 50.0	10 - 100	8
Operating Temp: -55°C to +150°C			Storage Temp: -65°C to +150°C			

(1) Refer to load lines on next page.

Plating:  
SN100CL Solder Finish, Hot air leveling per IPC-4552.

Tolerance:  
.XXX  $\pm$ .010



Dimensions: In. (mm) • All temperatures are ambient unless otherwise noted. • Data subject to change without notice.



Voltage Multipliers Inc.

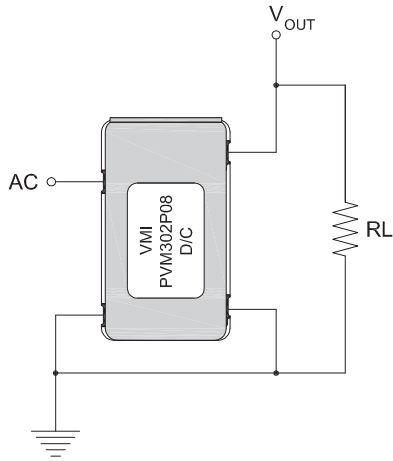
8711 W. Roosevelt Ave.  
Visalia, CA 93291 USA

Tel: 559.651.1402  
Fax: 559.651.0740

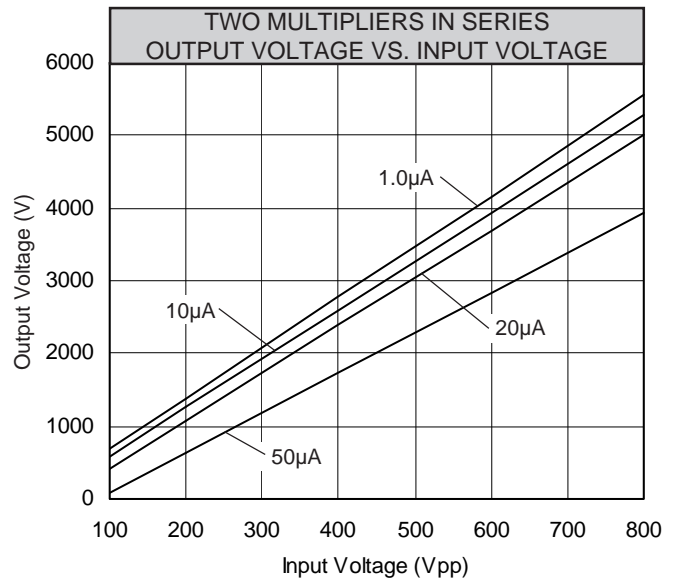
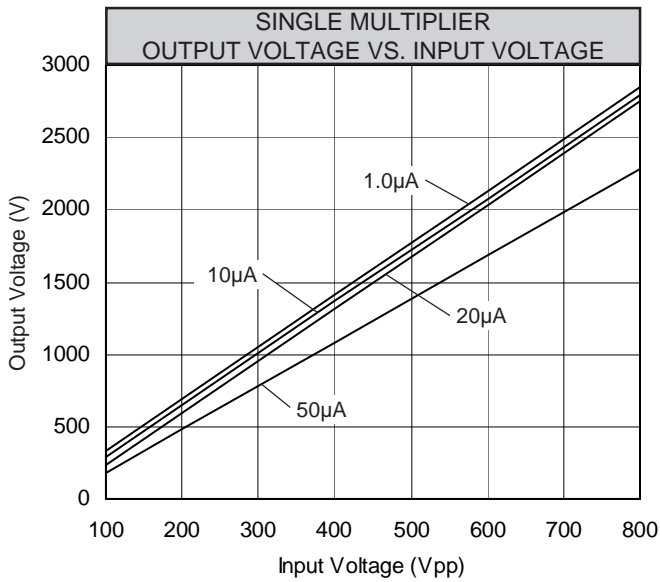
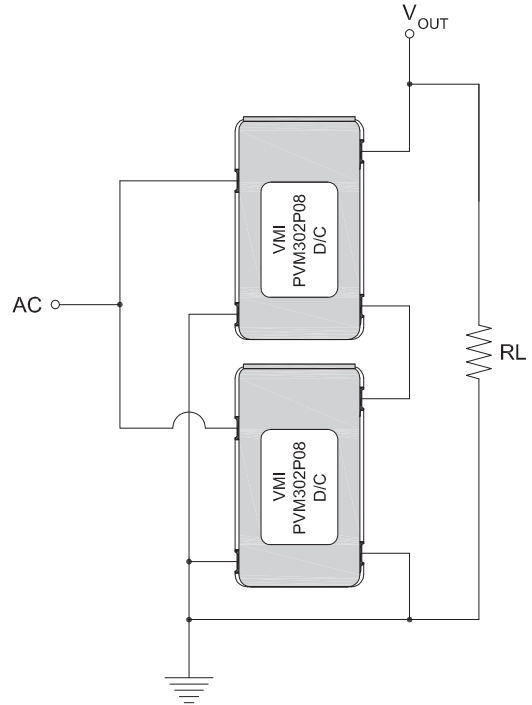
[www.voltagemultipliers.com](http://www.voltagemultipliers.com)  
[www.highvoltagepowersupplies.com](http://www.highvoltagepowersupplies.com)

# PVM302P08

Typical Single Multiplier Circuit



Typical Circuit Showing Two Multipliers in Series



Dimensions: In. (mm) • All temperatures are ambient unless otherwise noted. • Data subject to change without notice.



**Voltage Multipliers Inc.**

8711 W. Roosevelt Ave.  
Visalia, CA 93291 USA

Tel: 559.651.1402  
Fax: 559.651.0740

[www.voltagemultipliers.com](http://www.voltagemultipliers.com)  
[www.highvoltagepowersupplies.com](http://www.highvoltagepowersupplies.com)