

3,000V Surface Mount Multiplier

0 μ A - 50.0 μ A • 12 Stages

ELECTRICAL CHARACTERISTICS AND MAXIMUM RATINGS

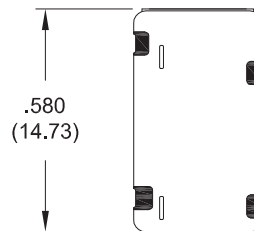
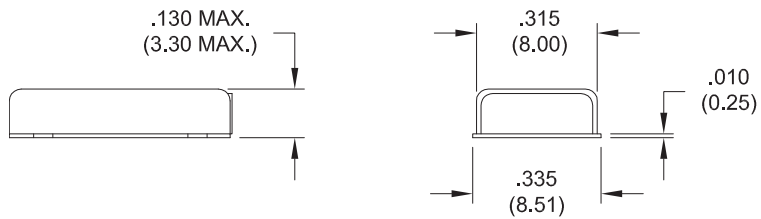
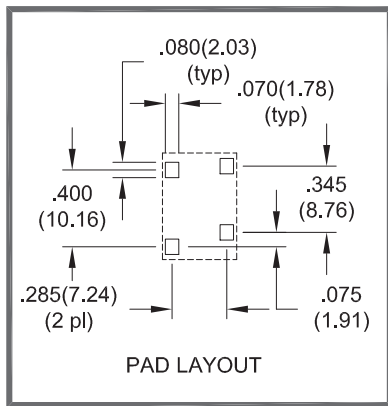
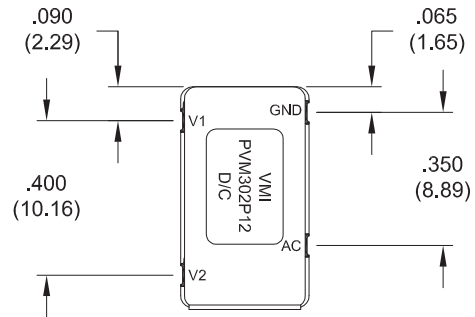
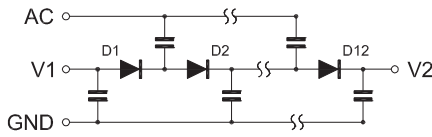
Part Number	Maximum A.C. Input Voltage	Maximum D.C. Output Voltage (One Multiplier)	Maximum D.C. Output Voltage (Two Multipliers in Series or Floating)	Typical Output Current Range (1)	Typical Frequency	Number of Stages
	V _{PP}	V _{DC}	V _{DC}	μ A	kHz	
PVM302P12	600	3000	6000	0 - 50.0	10 - 100	12

Operating Temp: -55°C to +150°C Storage Temp: -65°C to +150°C

(1) Refer to load lines on next page.

Plating:
SN100CL HASL Finish.

Tolerance:
.XXX \pm .010



Dimensions: In. (mm) • All temperatures are ambient unless otherwise noted. • Data subject to change without notice.



Voltage Multipliers Inc.

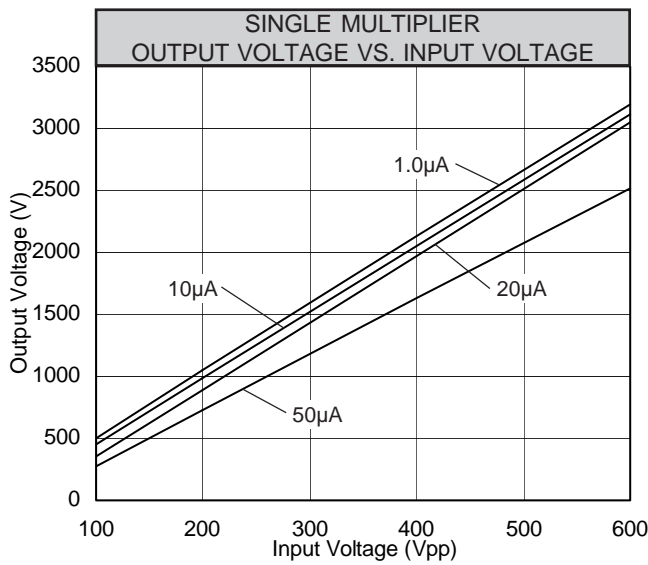
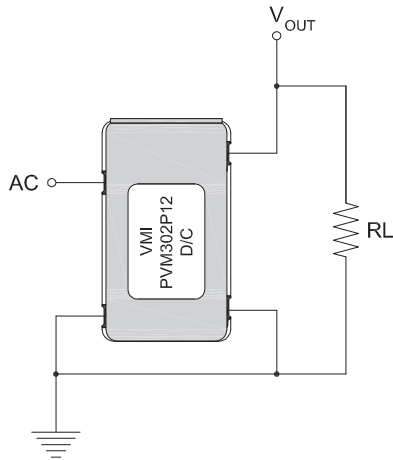
8711 W. Roosevelt Ave.
Visalia, CA 93291 USA

Tel: 559.651.1402
Fax: 559.651.0740

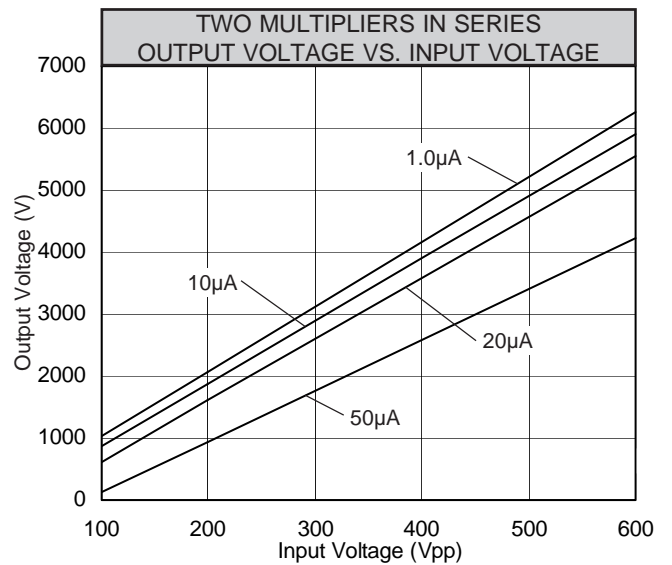
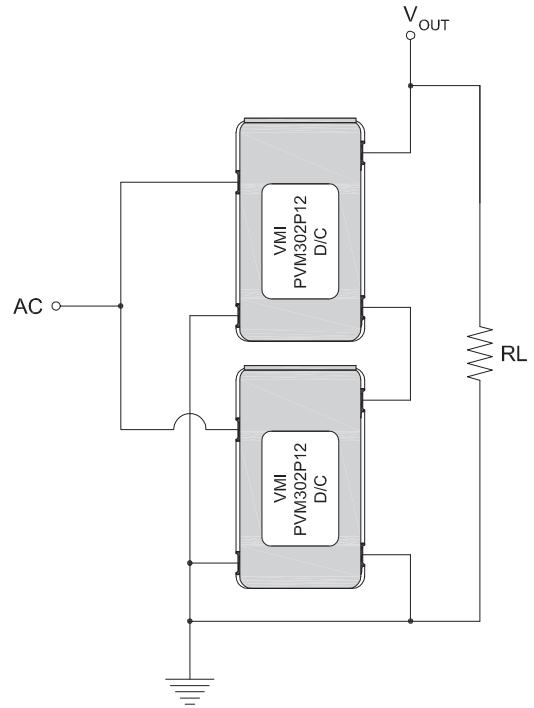
www.voltagemultipliers.com
www.highvoltagepowersupplies.com

PVM302P12

Typical Single Multiplier Circuit



Typical Circuit
Showing Two Multipliers in Series



10

Dimensions: In. (mm) • All temperatures are ambient unless otherwise noted. • Data subject to change without notice.



Voltage Multipliers Inc.

8711 W. Roosevelt Ave.
Visalia, CA 93291 USA

Tel: 559.651.1402
Fax: 559.651.0740

www.voltagemultipliers.com
www.highvoltagepowersupplies.com